

Overview

Retrofit Interior (RI) replaces existing relay panel electronics and relays with a single back plate mounted assembly. Installation retains the original line voltage wire, conduit, and enclosure reducing labor as well as material cost. RI may be scheduled from any BACnet BAS and is compatible with all low voltage switches, occupancy sensors, and light level sensors. Retrofit Interior 16 (RI16) may be specified with 8 or 16 Lighting Tough Relays (LTR) in addition to several special options.

Features

UL Listed

Retains line voltage wire, conduit, and enclosure
Switching and Dimming (DLH / Presets) models available
BACnet MS/TP communication to BAS network
Sub network for Satellite and Capacitive Touch Stations (CTS)
Install in less than 4 hours

Available options:

- 347VAC Transformer
- UL924 Emergency Bypass
- LEXP Digital Input Expansion Card
- Top or bottom mounted low voltage compartment

General Specifications

Construction: 16ga steel with galvanneal / powder coat finish
Dimensions: 13.68"(347mm)H x 12.00"(305mm)W x 3.38"(86mm)D
Factory mounted transformer increases overall width to 15.56"(395mm)
Weight: 12lbs(5kg)
Mounting: Standard (1.00"(25mm) washer head self-tapping) Concrete / Masonry (2.25"(51mm) masonry screws with flat washer)
Operating Environment: 32-125°F (0-50°C), 20-95%RH, non-condensing

Certifications

UL Listed, UL508A Open, Standard for Energy Management Equipment, US/Canada
CEC Title 24
Electronics meet or exceed IEC Level 3

Warranty

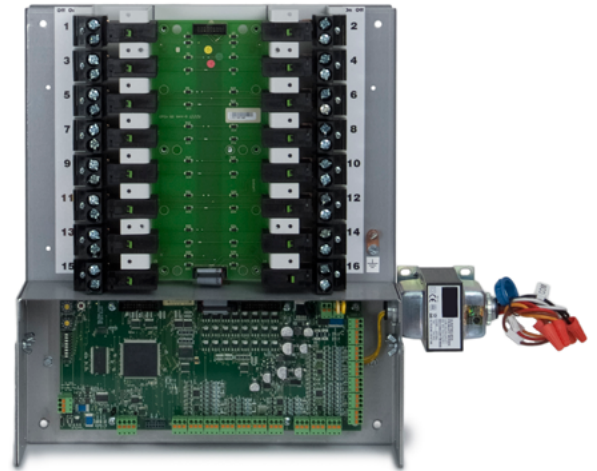
Two (2) year limited manufacturer warranty from date of shipment (extended warranty optional).

Firmware Specifications (Controller Board)

Platform: Apero Open Control Platform
Time Clock: Real-time clock with BACnet time sync
Schedule: BACnet Schedule, Monday – Sunday, Holidays, and Exceptions
Non-Volatile Memory: 16MB total, 2MB for trend data (15min trend requires 2K per day)
RAM: 2MB total, data stored in non-volatile memory upon power loss
Configuration: Tech Kit 2.0 (see data sheet for details)
Configuration Connection: Micro-B USB or Bluetooth Wireless

Low Voltage Specifications (Controller Board)

Power In: 24VAC +/-10%, 30VA, 50-60 Hz
Auxiliary Out: 24VAC, 800mA (devices with full wave rectified power supply only)
Universal Input (UI) and Satellite / Station Network Power Out: 24VDC, 200mA total
Universal Input: 24 two-wire inputs
Universal Input Software Configuration:
Digital Input (DI)
Analog Input (AI): 0-5VDC, 0-10VDC, or 4-20mA
Universal Input Wire Requirement / Maximum Length: 18AWG (Solid or Stranded) / 500'(152m)



BAS Network Specifications

Protocol: BACnet MS/TP
Baud Rate: DIP switch selectable 9.6K, 19.2K, 38.4K, 76.8K, or 115.2K
Device Profile: BACnet Advance Application Controller (AAC)
Address Range: 1 – 99 selectable with rotary dials
Unit Load: 1/8 unit load
Topology: RS-485, half duplex, daisy chain wiring
Wire Requirement / Maximum Length: CL3P, 22AWG, 2 conductor, shielded, low cap / 4000'(1216m)
Points: See PIC Statement

Satellite / Station Network Specifications

Compatible with CTS and Satellite devices. See data sheet for details.

Transformer Specifications

Type: 40VA Inherently Limited UL Listed
Primary: Multi Tap 120, 208, 240, or 277VAC +/-10%, 40VA, 50-60 Hz
Secondary: 24VAC +/-10% Inherently Limited
Wire Requirement: 18AWG Minimum (Solid or Stranded)
The transformer is factory installed in the Exclusion Frame. However, a knockout bushing is included to facilitate remote mounting applications.

LTR Specifications

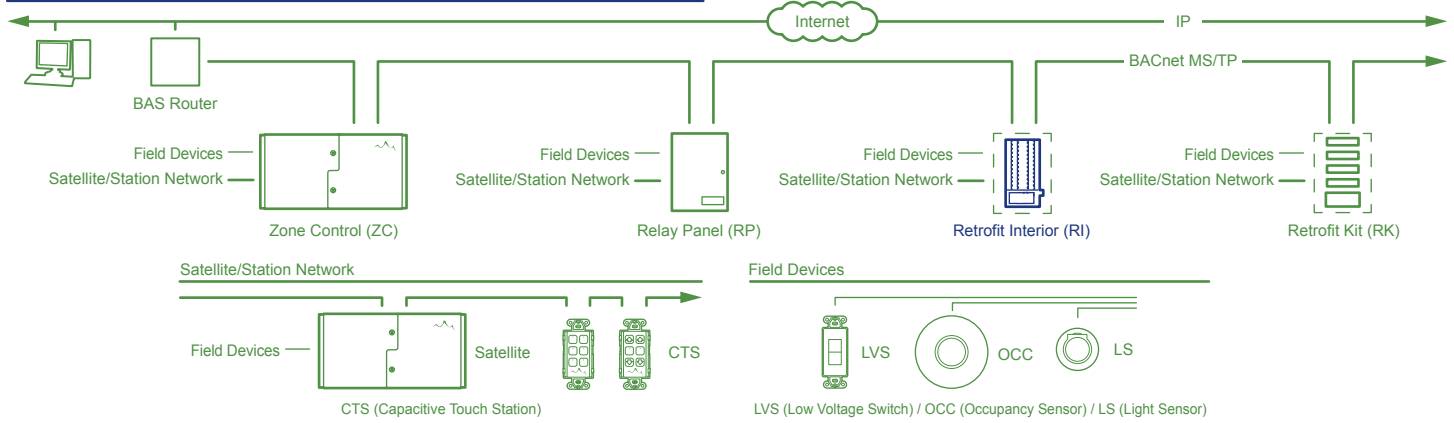
Type:
UL Listed
SPST latching with manual override lever
Electrically operated mechanically held, pulse driven
Short Circuit Current Rating (SCCR) 30,000A @ 277 VAC
Maximum Ratings: Tungsten 20A @ 347VAC / Ballast 30A @ 347VAC / Resistive 20A @ 347VAC / 1.5HP @ 120VAC
Load Terminal: Universal screw terminal, box type clamp
Terminal Capacity (per side): (2) 14-10AWG or (1) 8AWG (Solid or Stranded copper wire)

Optional Equipment Specifications

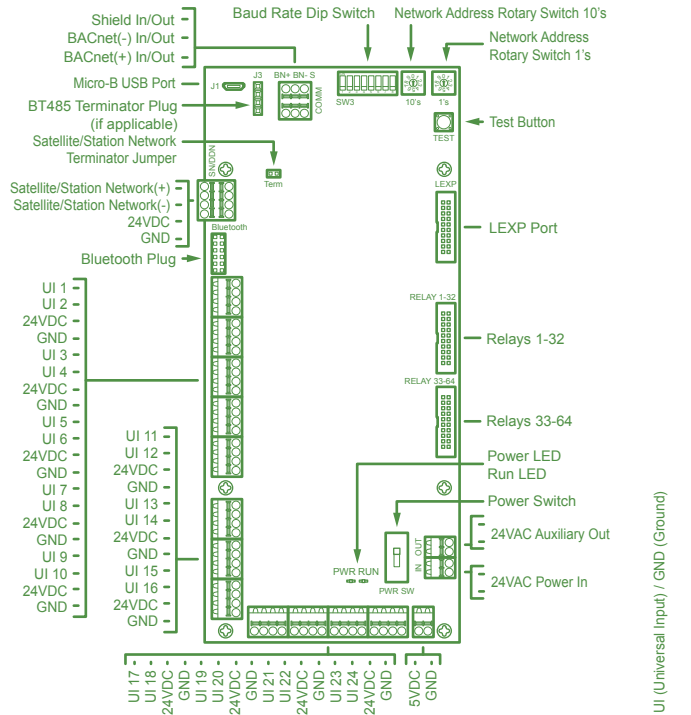
See Retrofit Interior Optional Equipment Data Sheet

Retrofit Interior 16

General Architecture

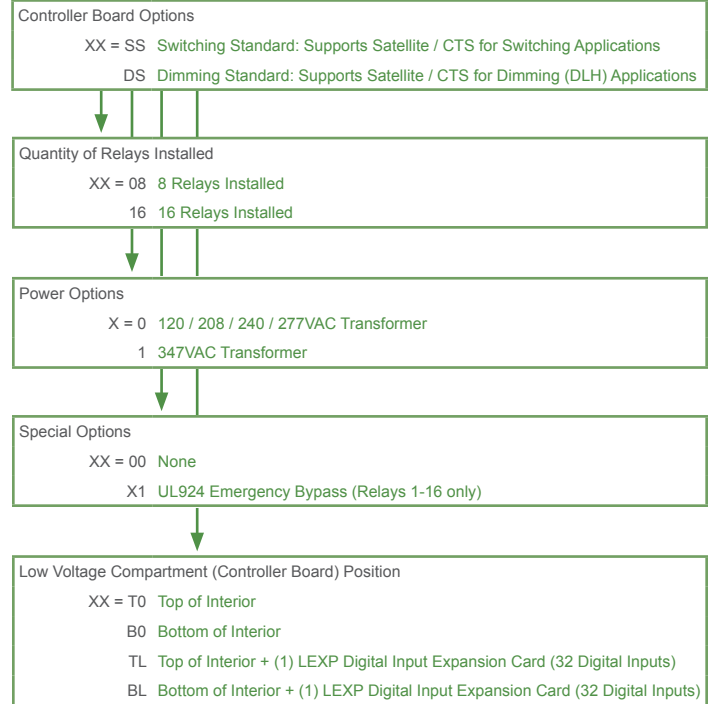


Controller Board Terminations

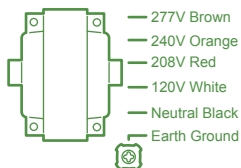


Ordering Information

RI XX 16 - XX - X - XX - XX



Transformer Terminations



LTR Terminations

